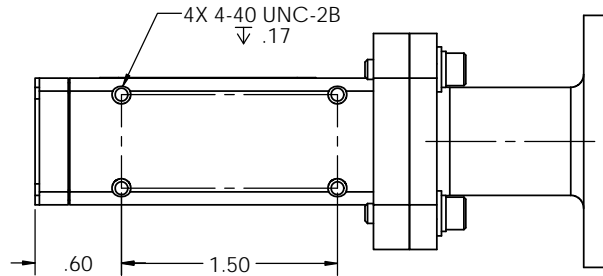
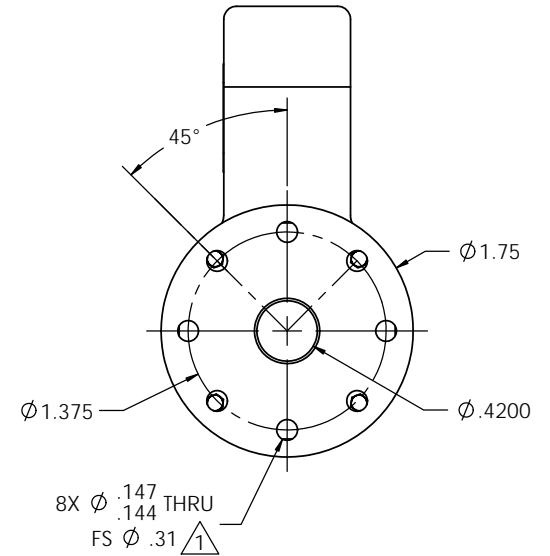
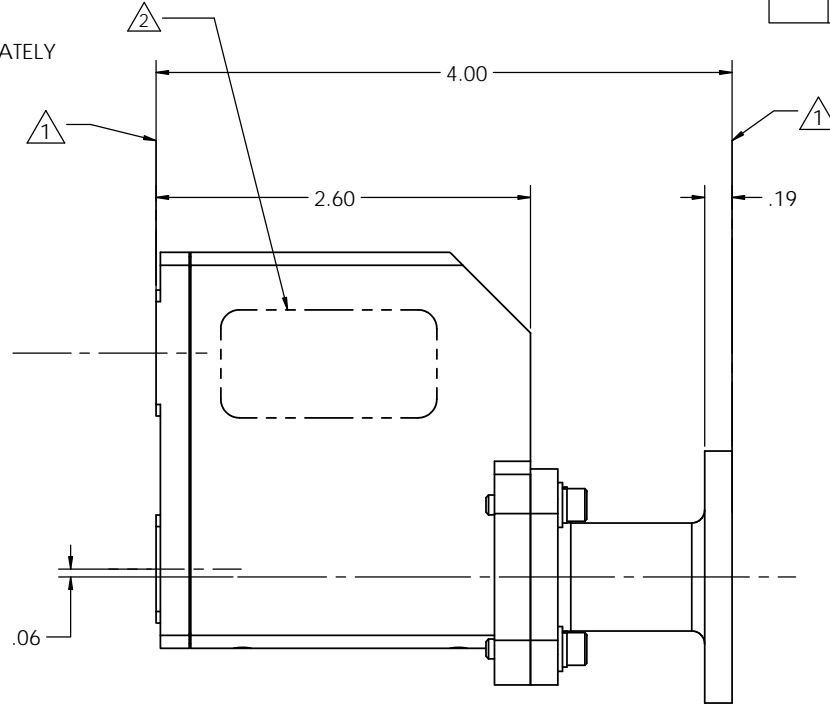
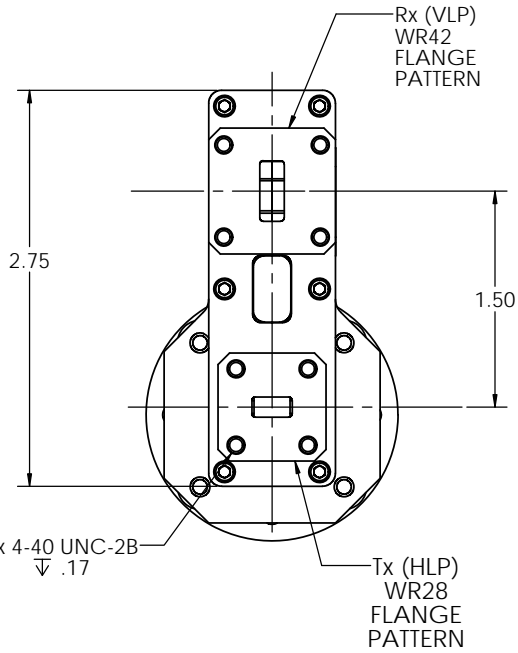


NOTES: UNLESS OTHERWISE SPECIFIED

1 SURFACE TO BE FREE OF PRIMER AND PAINT

2 ASSEMBLY IDENTIFICATION PER QMSP 7550 APPROXIMATELY WHERE SHOWN

| REVISIONS |      |                    |         |          |
|-----------|------|--------------------|---------|----------|
| ZONE      | REV. | DESCRIPTION        | DATE    | APPROVED |
|           | -    | PRODUCTION RELEASE | 07OCT15 |          |



**SPECIFICATIONS**

**FREQUENCY BAND** Rx: 19.20 - 21.20 GHz  
Tx: 27.50 - 31.00 GHz

**INSERTION LOSS** Rx: 0.40 dB MAX  
Tx: 0.30 dB MAX

**VSWR** Rx: 1.25:1 MAX  
Tx: 1.25:1 MAX

**ISOLATION**  
PORT TO PORT Tx/Rx: 85 dB MIN  
Rx/Tx: 85 dB MIN

**CROSSPOL** Rx: 35 dB MIN

**POWER HANDLING** : 500W CW

**WEIGHT** : TBD

**PRESSURE** : SEALED TO 5.0 PSIG

**FINISH**  
INTERIOR & FLG FACES: CHROMATE CONVERSION COATED  
EXTERIOR: PAINT - WHITE COLOR No. 17875 IAW FED-STD-595

**INTERFACE DRAWING**

|  |  |                        |  |
|--|--|------------------------|--|
| DIMENSIONING AND TOLERANCING<br>PER ASME Y14.5M-1994<br><br>ALL DIMENSIONS ARE IN INCHES<br>TOLERANCES:<br>.XX ±.01<br>.XXX ±.002<br>.XXXX ±.0010<br>ANGLES ± 0° 30'<br>ALL MACHINED SURFACES ✓ 32 | APPROVALS<br>DRAWN: E.N.ONCE<br>CHECKED:<br>ISSUED:<br>ENGR:<br>QA:  | DATE<br>06JUN14        | <b>SPACETIME ENGINEERING</b><br>HARBOR CITY, CA 90710<br><br>TITLE<br><b>2-PORT, Ka-BAND,<br/>         Rx/Tx, LP</b> |
|  | PROPRIETARY AND CONFIDENTIAL<br>THE INFORMATION CONTAINED IN THIS DRAWING IS THE SOLE<br>PROPERTY OF SPACETIME ENGINEERING CO INC. ANY<br>REPRODUCTION IN PART OR AS A WHOLE WITHOUT THE WRITTEN<br>PERMISSION OF SPACETIME ENGINEERING CO INC. IS PROHIBITED. |                        |  |
| MATERIAL   | EAR CONTROLLED<br>Export or re-export subject to the regulations relating<br>to Commerce and Foreign Trade under CFR title 15<br>parts 700 - 799   | SIZE<br><b>C 74MM8</b> | DWG No. ICD 10047-006<br>REV -   |
| SCALE: 1:1   |  | SHEET 1 of 1           |  |