



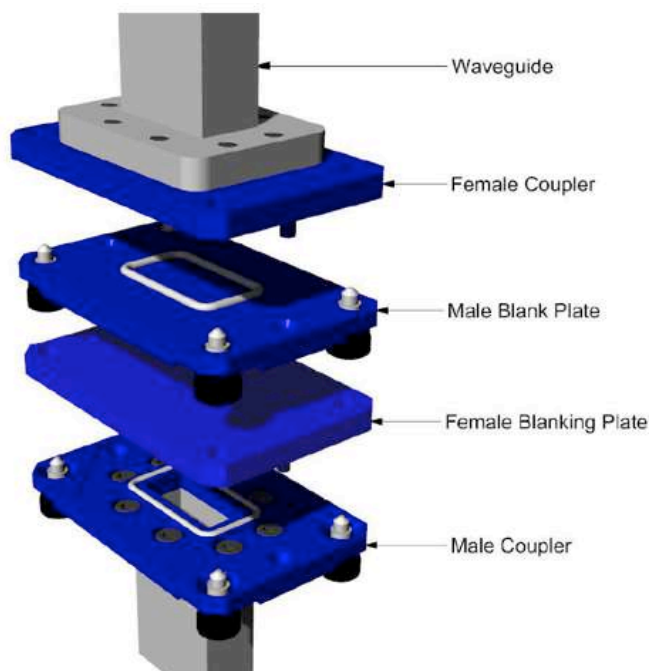
WAVEGUIDE Quick Release System

QUASAR quick release / disconnect system has been designed to allow waveguide components to be assembled & dis-assembled quickly & easily without the need for any tools.

The system comprises of male & female couplers or optional blanking plates for preventing moisture & debris contamination within your waveguide system when disconnected or in transit.

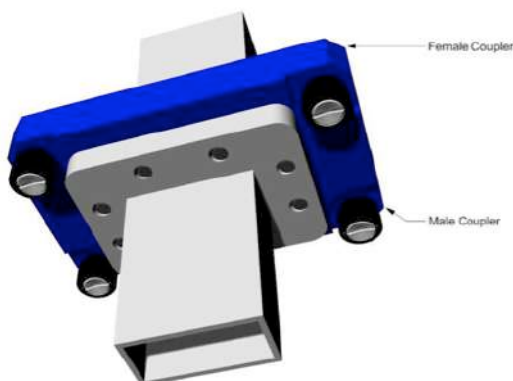
The QR coupling plates simply attach onto your existing waveguide flanges & allow you to easily install your waveguide components using only the captive thumbscrews on the QR couplers.

They are ideally suited for use in SNG type applications & portable systems, where temporary or regular rapid deployment is required.



WG17 / WR-75 Blanking Plate
**Colour Choice Available

Waveguide Size (WG)	Waveguide Size (WR)	Flange Type	Male Coupler (MC)	Female Coupler (FC)	Male Blanking Plate (MBP)	Female Blanking Plate (FBP)
WG11A	WR-229	CPR	QR229-MC-CPR	QR229-FC-CPR	QR229-MBP-CPR	QR229-FBP-CPR
WG14	WR-137	CPR	QR137-MC-CPR	QR137-FC-CP	QR137-MBP-CPR	QR137-FBP-CPR
WG15	WR-112	CPR	QR112-MC-CPR	QR112-FC-CPR	QR112-MBP-CPR	QR112-FBP-CPR
WG15	WR-112	UBR	QR112-MC-UBR	QR112-FC-UBR	QR112-MBP-UBR	QR112-FBP-UBR
WG16	WR-90	UBR	QR090-MC-UBR	QR090-FC-UBR	QR090-MBP-UBR	QR090-FBP-UBR
WG17	WR-75	UBR	QR075-MC-UBR	QR075-FC-UBR	QR075-MBP-UBR	QR075-FBP-UBR
WG18	WR-62	UBR	QR062-MC-UBR	QR062-FC-UBR	QR062-MBP-UBR	QR062-FBP-UBR
WG20	WR-42	UBR	QR042-MC-UBR	QR042-FC-UBR	QR042-MBP-UBR	QR042-FBP-UBR
WG22	WR-28	UBR	QR028-MC-UBR	QR028-FC-UB	QR028-MBP-UBR	QR028-FBP-UBR



ALL QR COUPLER PLATES ARE ALOCROMED AS STANDARD BLANKING PLATES ARE AVAILABLE IN VARIOUS ANODISED COLOURS - BLUE, BLACK, RED,

Please specify your colour choice by adding the colour to the end of the above Blanking Plate Part Numbers.

**E.g. WG15 Red Male Blanking Plate = QR112-MBP-CPR-RED
NB. Male Coupler & Male Blanking Plates have Seals Included.

Company Names & Logos can be added to Blanking Plates -

Dimensions available upon request.
Custom Sizes available on Request.

