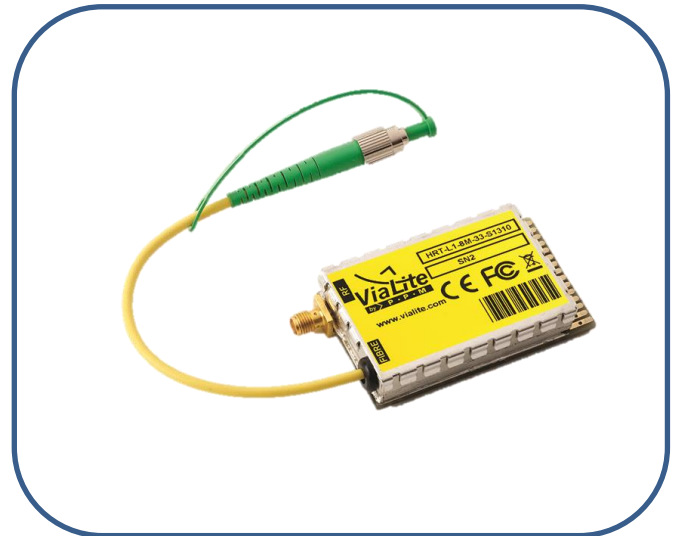


## ViaLiteHD<sup>®</sup> – Yellow OEM Link

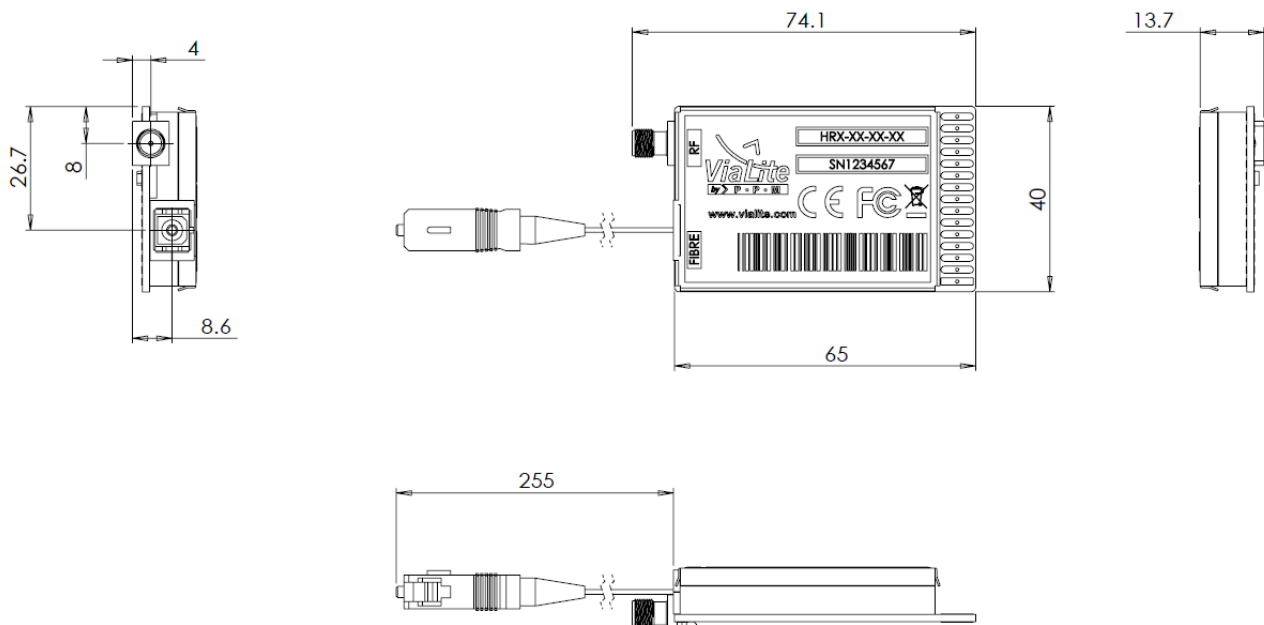
### RF over Fiber Link

- **Single Tx or Rx**
- **Board mounted OEM**
- **Edge connector**
- **65 x 40 x 15.6 mm**
- **All ViaLiteHD RF bands available**
- **Support modules also available**

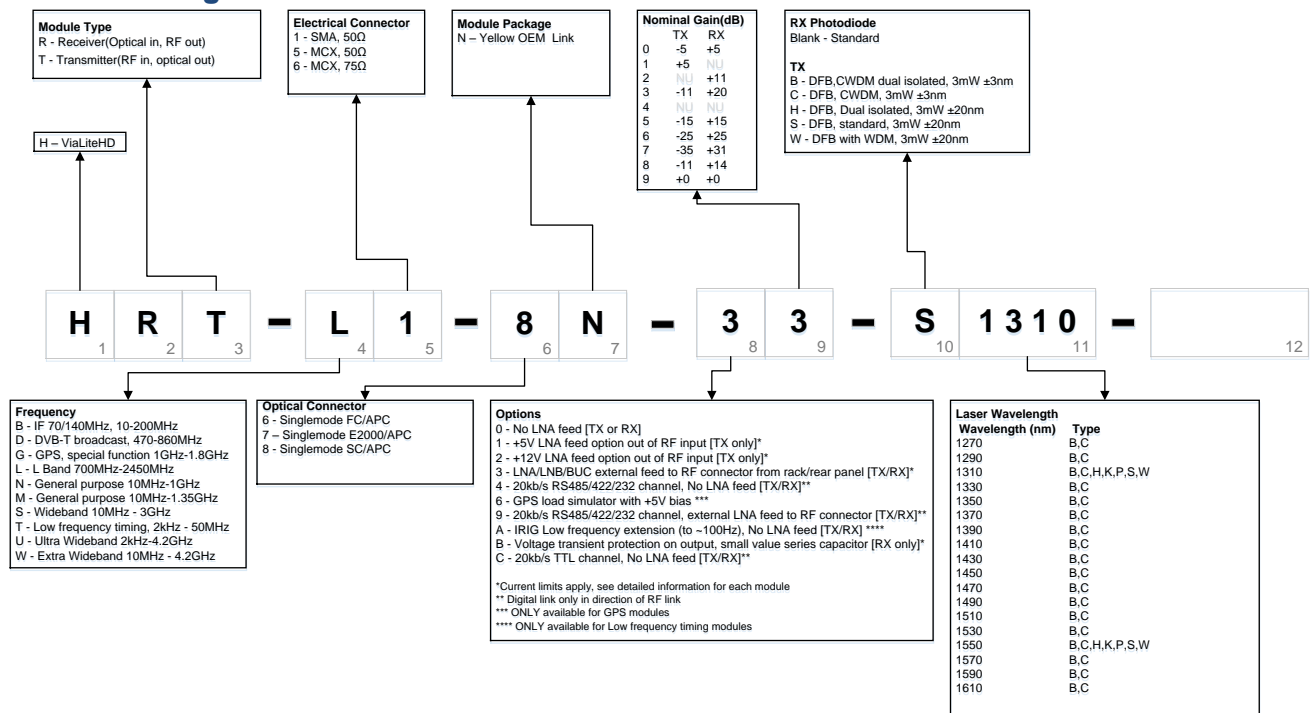


The **Yellow OEM Link** is a small board mounted RF over fiber OEM module, available in all **ViaLiteHD** RF bands and can be supplied in transmitter or receiver formats. It can be used within the **ViaLiteHD** Satcom6 outdoor enclosure or within customer equipment. The link is available with either an SC, FC or E2000 optical connector and either SMA or MCX RF connector. The 15-pin edge connector provides connection for serial data transmission (RS232, RS485 & TTL), Tx or Rx alarms, I2C setup using the **ViaLiteHD** Programming Kit (HRx-HD-DEV103) and for connecting a power supply.

### Mechanical Dimensions (mm)



**Product Configurator**



**Popular products**

- HRT-L1-8N-33-S1310 – Yellow OEM L-Band HTS (700-2450MHz) Transmitter with 50 ohm SMA and SC/APC connectors
- HRR-L1-8N-03 – Yellow OEM L-Band HTS (700-2450MHz) Receiver with 50 ohm SMA and SC/APC connectors
- HRT-G1-6N-10-S1310 – Yellow OEM GPS Transmitter, 50 ohm SMA and FC/APC connectors

**Parameters**

	Yellow OEM Link
Dimensions	Transmitter: 65 x 40 x 15.6 mm Receiver: 65 x 40 x 12.1 mm
Weight	Transmitter: 60g Receiver: 55g
Operating temperature	-10°C to +50°C
Humidity	0-95% non-condensing
Cooling	Convection
Power consumption	Transmitter: 1.9W Receiver: 1.3W
DC Input voltage	11 to 13V, 12V nominal
Connector	15-pin edge connector (Power, Serial Data, Alarms & I2C programming)
RF module Types	Transmitter or Receiver IF (B), DVB-T (D), GPS (G), L-Band HTS (L), General purpose (N&M), Wideband (S), Low Frequency Timing Link (T), Ultra Wideband (U&W), 1:1 Splitter, 1:1 Switch, Serial digital and Ethernet.