

IF and L-Band Redundancy Switching units GTS5635



This switching unit is required for automatic redundancy switching of IF and L-Band signals in the frequency range 30...2150 MHz.

Design

The unit is housed in a 19" subrack with very good RF shielding and consists of the following sub-assemblies:

- solid-state switches DPDT
- attenuators, fix and programmable
- amplifiers
- directional couplers
- control logic
- redundant power supply modules
- LAN interface
- mimic with manual control

All the necessary signal and power supply connections as well as the mains switches are provided at the rear.

Control

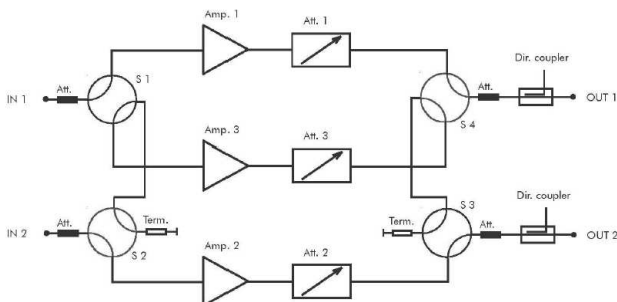
The unit is controlled via a LAN interface.

Gain setting and selection of the RF path could be also done manually on the front panel.

Special features

A status string can also be requested at any time via the control interface.

The unit is constructed using a modular approach utilising plug-in sub-assemblies which enable ease of installation and maintenance.



Technical data	measured a 25° C
Model number:	GTS5635
Item number:	1200176
Configuration:	2:1 redundancy, consisting of 4 switches DPDT 4 attenuators 3 dB 3 programmable attenuators 3 amplifiers 2 directional couplers -20 dB
RF specifications	
Impedance (Ohm):	50
Frequency range (MHz):	30...2150
Gain (dB):	20 adjustable 0...20 dB, 1dB steps
Gain flatness (dB):	+/-1.5 max.
Noise figure (dB):	10 typ.
VSWR:	1.5 : 1 max.
Isolation (dB):	
Crosstalk	50 min.
Input power (dBm):	+5 max.
P1 dBc (dBm):	+15 typ., output
Switching elements:	solid-state switches
Further specifications	
Control:	LAN
Manual control:	
Gain setting	up/down push buttons & display
Switch via mimic	push buttons with LED to show signal flow
RF connectors:	
Inputs/dir. couplers	SMA female
Outputs	N female
Power supply (Vac, Hz):	80...264, 47...63, redundant
Connector	3-pin, with mains filter & fuses
Mains switches:	integrated in the power supplies
Temperature range (°C):	
Operating	0...50
EMC:	in accordance to Eur. standard EN 61000-6-1 & EN 61000-6-3
Dimensions:	
Height (RU)	1
Width (inch)	19
Depth (mm)	about 380 (without connectors & handles) painted (RAL7021)
Front panel:	

Designed & produced by NOVOTORNIK GmbH

