



# Horizons Controller HRC-5 SNMP & Control Card

- HTML GUI Interface
- SNMP v1 and v2C compatible
- Hot swappable card
- Software and inventory management
- Auto card configuration

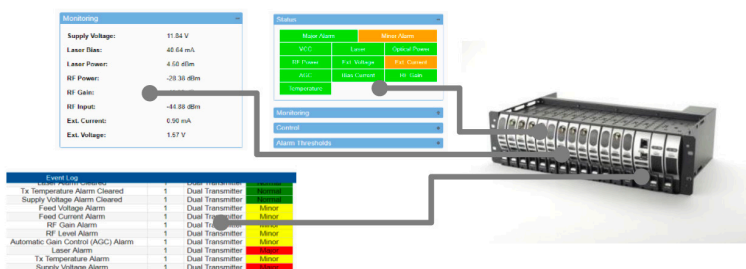


The ViaLiteHD HRC-5 rack card can be installed into the standard ViaLiteHD 19" rack shelf to monitor, log and raise alarms when events occur.

The HRC-5 card utilizes SNMP protocol to communicate over Ethernet with the Horizons software package. If required, direct management of the HRC-5 is possible via a web browser, serial or CLI connections.

The HRC-5 card gives control of RF over fiber and all other card types installed in the same 19" rack chassis.

- Real-time monitoring and control of all ViaLiteHD modules and power supplies
- Easy integration with 3rd party Network Management Systems (NMS)
- All alarm information immediately accessible via any web browser or NMS
- Displays operational status, voltage, temperature and link status of installed cards
- Remote software update and inventory management



The built-in graphical user interface can be accessed from any standard web browser using the IP address of the HRC-5 card. Alternatively, the Horizons application can be used to monitor the same information.

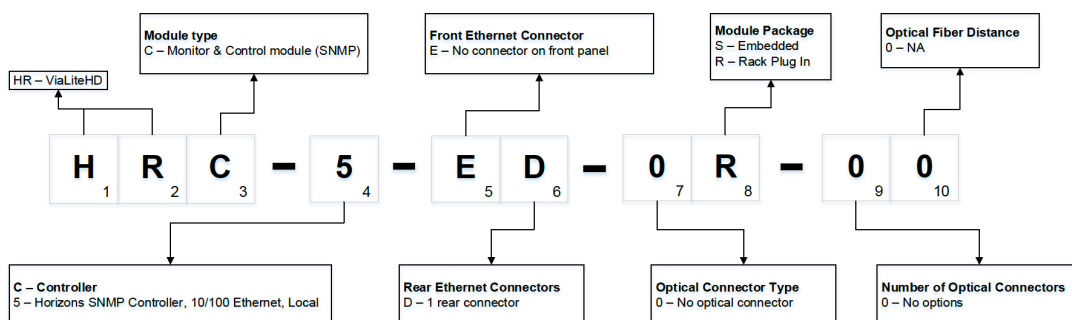
## Advantages

- Monitoring and Control of any ViaLite RF or support products
- Can be used in installation and test as well as operation
- User-definable Minor & Major alarm threshold
- User-definable RF & Optical alarm levels
- Maintenance mode for each module

## Related Products

- C-Band rack card
- L-Band rack card
- RF Switch card
- Splitter Rack card
- PSU cards

## Product configurator



# Horizons Controller HRC-5 SNMP & Control Card



**EUROSATCOM**  
VSATECH ASSOCIÉ

## TECHNICAL SPECIFICATION

Format	Plug-in module compatible with ViaLiteHD chassis, 7HP slot
Indicators	Front Panel LED "Power (RED/GREEN)" Front Panel LED "Rear RJ45 LINK (RED/GREEN)" Front Panel LED "Rear Fiber LINK (OFF)"/Not used
Electrical signal/power connector	Plug-in module, user accessible via 19" Chassis backplane
Module operating voltage	+12 V +/- 0.5 V
Module operating power	4W Typical
Operating temperature	-20 °C to +60 °C
Storage temperature	-40 °C to +80 °C
Ambient relative humidity	10% to 95% (Non Condensing)
Maximum weight	300 g
RJ45 port	1 x 10/100 MB/s (auto negotiating)
Network standards	10/100 BASE-TX
Serial Connector type	Micro-USB
Interface cable	Standard micro-USB cable
Serial data type	USB to RS232 Converter, 9600 bps, 8 data bits, 1 stop bit, no parity, no flow control
SNMP agent	Supports SNMP version 1 and version 2C
MIB	ViaLite proprietary MIB, RFC1213 compliant, supports MIB-II "system" group
Horizons SNMP Desktop App	Horizons SNMP application for Windows
HTTP Web Interface	Standard HTTP



**EUROSATCOM**  
VSATECH ASSOCIÉ

3 avenue du Canada, bât. Zeta, 91940 Les Ulis, France

+33 1 69 18 19 30

[www.eurosatcom.eu](http://www.eurosatcom.eu)

[sales@eurosatcom.eu](mailto:sales@eurosatcom.eu)

