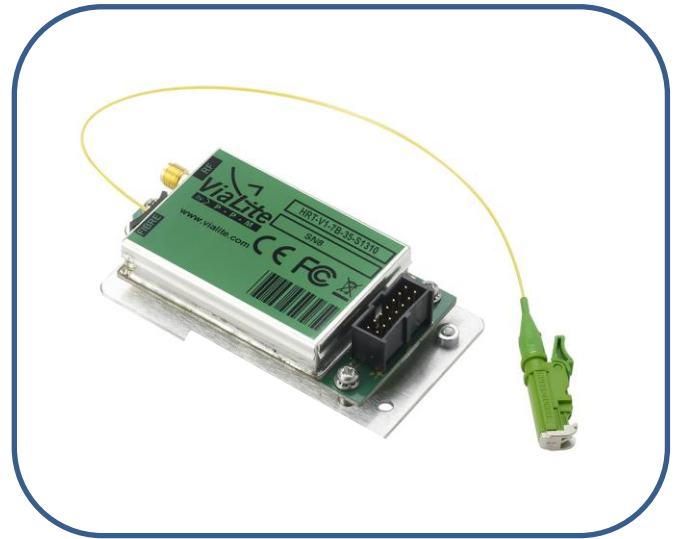


## ViaLiteHD® – Green OEM Link

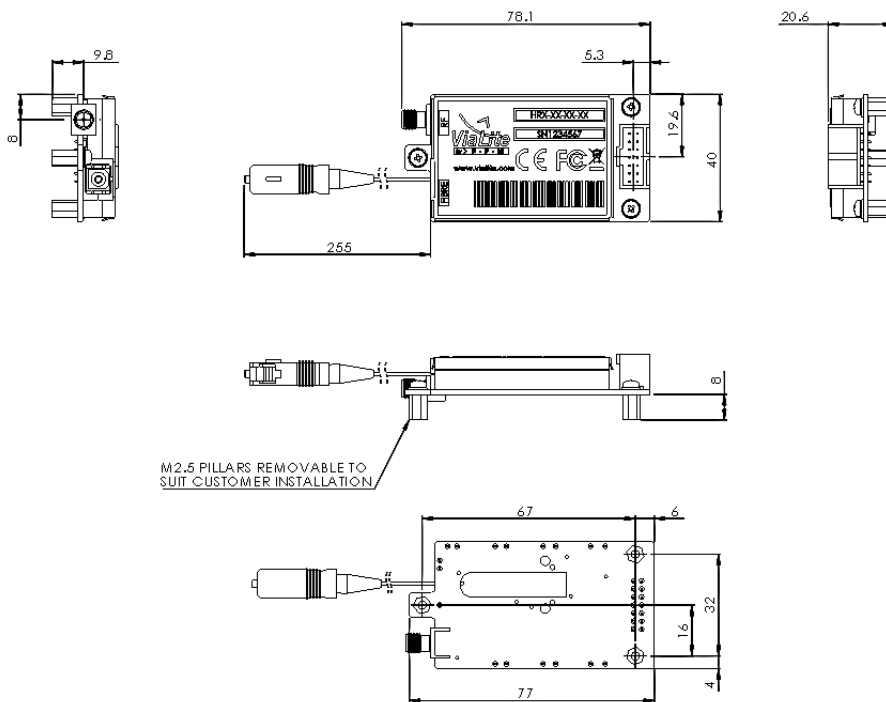
### RF over Fiber Link

- Single Tx or Rx
- 100 to 1000 MHz
- <1 W (low power consumption)
- 87 x 46 x 19.6 mm with mounting plate
- For Wireless Cameras or Microphones



The **Green OEM Link** is a small RF over fiber OEM module, which is a plug-in replacement for the **ViaLite** Classic OEM and is available to cover **ViaLite** broadcast bands. The Green OEM Link can be supplied in transmitter or receiver formats and is typically integrated into customer equipment. The link is available with either an SC or E2000 optical connector, and either an SMA or MCX RF connector. The 14-pin Molex header connector provides connection for Tx or Rx alarms and for connecting a power supply.

### Mechanical dimensions (mm)



## Technical specification

	<b>GREEN OEM LINK</b>
Dimensions	With Classic adaptor plate: 87 x 46 x 19.6 mm With no adaptor plate: 77 x 40 x 15.6 mm With stand-offs and no adaptor plate: 77 x 40 x 20.6 mm
Weight	Transmitter: 60 g Receiver: 55 g
Standard Operating temperature	-20 °C to +60 °C
Humidity	0-95 % non-condensing
Cooling	Convection
Power consumption	Transmitter: 1.1 W Receiver: 0.8 W
DC Input voltage	11 to 13 V, 12 V nominal
Connector (Power & Alarms)	14-pin Molex header connector
Connector (Optical)	E2000/APC or SC/APC
Connector (RF)	50Ω SMA or 75Ω MCX
RF module Types	Transmitter or Receiver Broadcast Band (V) (100-1000 MHz)