

ViaLiteHD® – Blue OEM Link

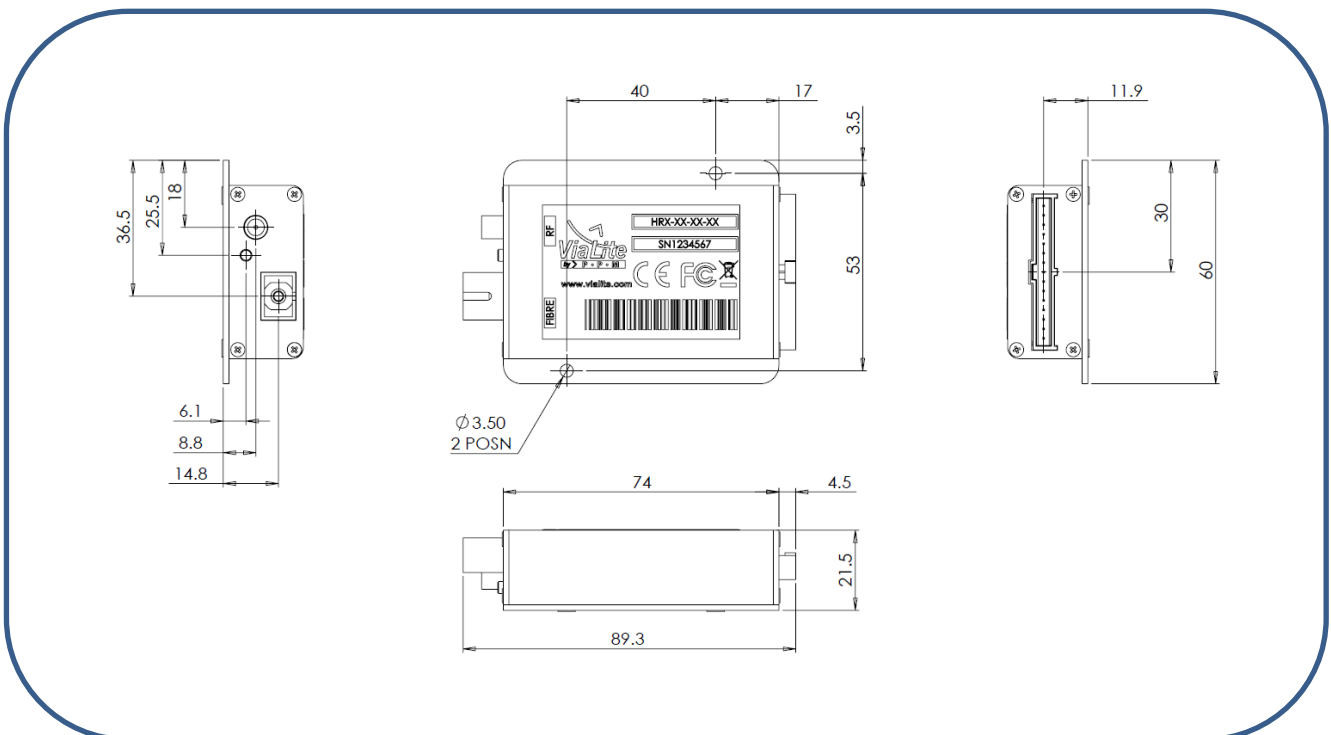
RF over Fiber Link

- Single Tx or Rx
- External PSU
- Dustproof
- 89 x 46 x 20 mm
- All RF and digital modules available
- Supports 0-10 km and 50 km
- DIN Rail mount option

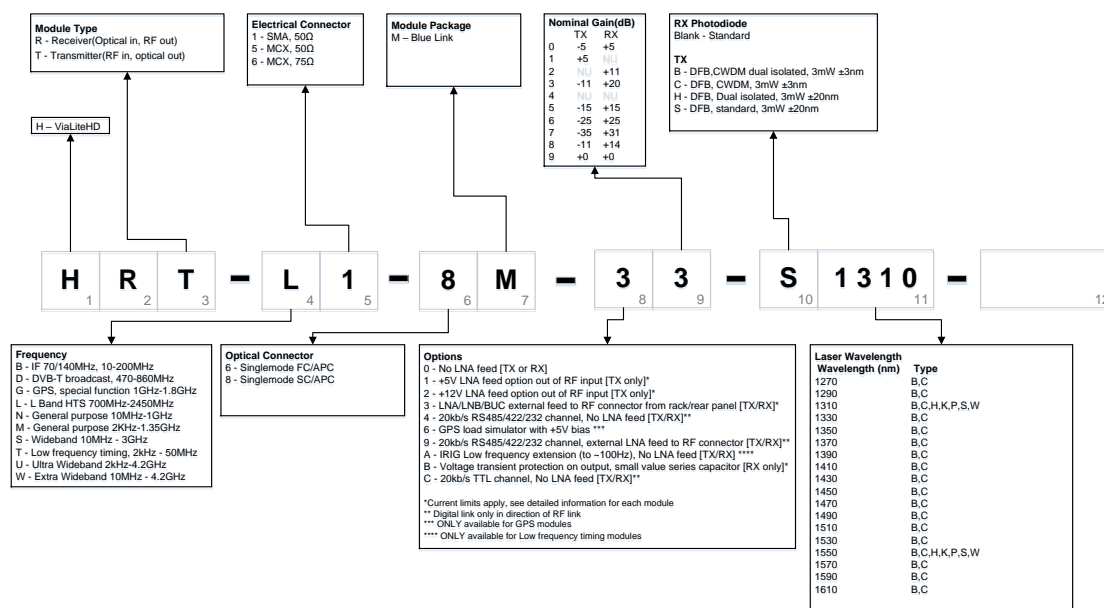


The Blue OEM Link is a small, dustproof RF over fiber module which is available in **ViaLiteHD** RF bands up to 4.2 GHz, in either transmitter or receiver formats. The link is available with SC or FC optical connectors and either SMA or MCX RF connectors. The 15 pin Molex single row connector provides connections for serial data transmission (RS232, RS485 & TTL), Tx or Rx alarms, I2C setup using the **ViaLiteHD** Programming Kit (HRx-HD-DEV103) and for connecting an external power supply (optional HPS-CS-3).

Mechanical dimensions (mm)



Product configurator



Popular products

- HRT-L1-8M-33-S1310 – Blue OEM Link L-Band (700-2450 MHz) transmitter with 50 ohm SMA and SC/APC connectors
- HRR-L1-8M-03 – Blue OEM Link L-Band (700-2450 MHz) receiver with 50 ohm SMA and SC/APC connectors
- HRT-G1-8M-60 – Blue OEM Link GPS transmitter with 50 ohm SMA and SC/APC connectors
- HRR-G1-8M-66 – Blue OEM Link GPS receiver with 50 ohm SMA and SC/APC connectors

Parameters

	Blue OEM Link
Dimensions	With mounting bracket fitted: 89 x 60 x 21 mm Without mounting bracket fitted: 89 x 46 x 20 mm
Weight	With mounting bracket fitted: 130g typical Without mounting bracket fitted: 112g typical
Operating temperature	-10 °C to +50 °C
Humidity	0-95% non-condensing
Cooling	Convection
Power consumption	Transmitter: 1.9 W Receiver: 1.3 W
DC Input voltage	11 to 13 V, 12 V nominal
Connector	15 pin header (male) Molex (C-Grid III), single row (Power, Serial Data, Alarms & I2C programming)
Power supply compatibility	HPS-CS-3
RF module types	Transmitter or Receiver IF (B), DVB-T (D), GPS (G), L-Band HTS (L), General purpose (N&M), Wideband (S), Low Frequency Timing Link (T), Ultra Wideband (U&W)



DIN Rail Mounting Kit for Blue OEM (P/N 27500)

A DIN rail is a metal rail of an IEC/EN standard type widely used for mounting electrical equipment inside equipment racks. The DIN Rail Mounting Kit allows the **ViaLiteHD** Blue OEM to be mounted vertically and more efficiently. This approach allows custom integration into any enclosure or equipment room which has rails fitted.