



IRK®SERIES INTELLIGENT REDUNDANT KIT

16W-500W KU-BAND, 20W-400W C-BAND BUC/SSPA

1:2 REDUNDANT SYSTEM

The IRT Technologies IRK® Series (Intelligent Redundant Kit) 16W-500W Ku-Band / 20W- 400W C-Band 1:2 redundancy system is light weight and super-compact due to revolutionary small size IRT BUCs/SSPAs. 1:2 IRK System redundancy controller is equipped with weatherized display and push buttons making installation, maintenance and diagnostic more user friendly.

IRK®Series features extensive monitor & control via serial ports EIA232/EIA485 and Ethernet. The state of the art web browser provides the operator with comprehensive system management tool.



KEY FEATURES

- State of art ODU redundancy controller with display and illuminated push buttons for user convenience
- Available as Universal Unistrut Mechanical arrangement fitting all size IRT BUC/SSPA
- Also available as customized mechanical design
- Easy BUC/PA unit's replacement without interruption of traffic
- Remote Control over RS-232, RS-485 and Ethernet.
- Built-in SNMP and Web Server
- Auto manual, Remote, Manual Override Operational Modes
- BUC A/S and B/S Gain Equalization Feature
- Manual Switch-Over Button
- Indoor 1RU Remote Control Unit Optional

IF/RF CHARACTERISTICS

IF Frequency Range	950-1525MHz / 950-1700MHz
RF Frequency	5085-6.425GHz / 13.75-14.5GHz
Return Loss at IF In Port	-14dB max
Return Loss at RF Out Port	-16dB max
Output Power	Up to 500W at PsAT
Input IF port Impedance	50Ohm

POWER

AC option	90-265VAC 50-60Hz to each BUC/SSPA
DC option	36-55 VDC Isolated to each BUC/SSPA

INTERFACES

IF IN (L-Band and 10MHz)	N-type female
RF Out	CPR137/WR75 Grooved
User Interface	MS3112E14-19S

MONITOR & CONTROL FEATURES

Controls

Online/Stand By Toggle	Via Serial,Ethernet
Mute Control	Via Serial,Ethernet
Gain Control	Via Serial,Ethernet
Gain equalization offset	Via Serial,Ethernet
Hot standby/Cold Standby	Via Serial,Ethernet

Indicators

Active/Stand by status	Via Serial,Ethernet
Mute Status	Via Serial,Ethernet
Switch Position	Via Serial,Ethernet, LED
BUC A/B full telemetry	Via Serial,Ethernet
Alarm A/B details	Via Serial,Ethernet

IRT Part Number	Power, Watt
C-BAND	
IRK-CB00490-HM12	20W to 80W
IRK-CB00500-HM12	100W
IRK-CB00530-HM12	150W to 200W
IRK-CB00560-HM12	300W to 400W
KU-BAND	
IRK-KXB0480-HM12	16W to 60W
IRK-KXB0510-HM12	80W to 125W
IRK-KXB0530-HM12	150W to 200W
IRK-KXB0570-RM12	300W to 500W



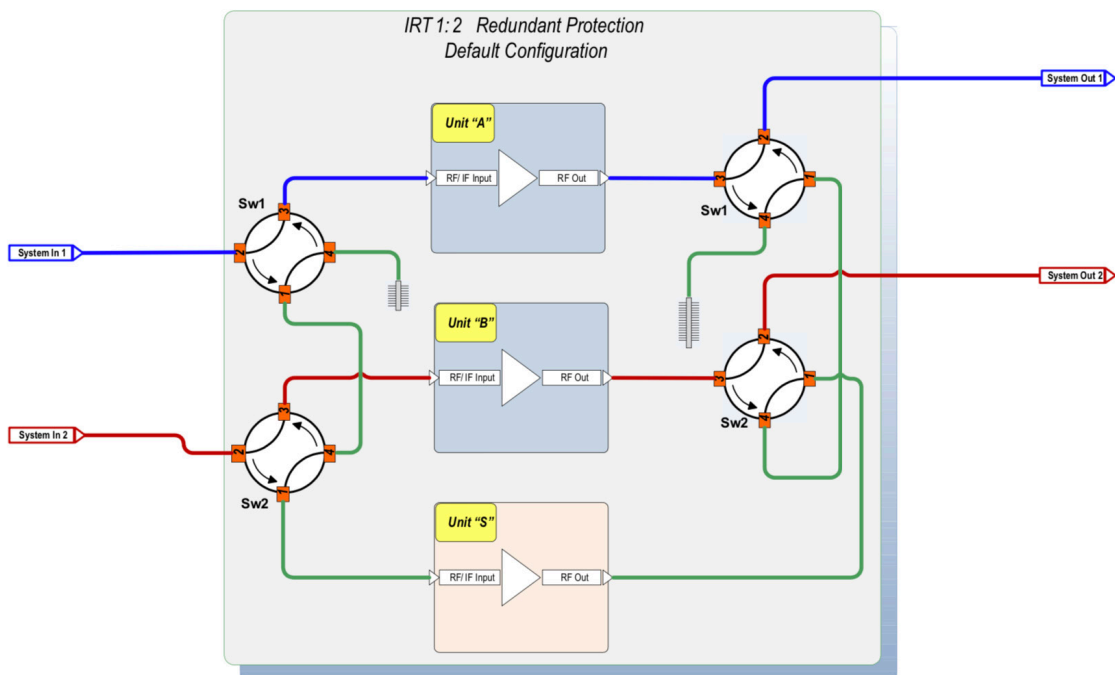


EUROSATCOM
VSATECH ASSOCIÉ

IRK®SERIES INTELLIGENT REDUNDANT KIT

16W-500W KU-BAND, 20W-400W C-BAND BUC/SSPA

1:2 REDUNDANT SYSTEM



EUROSATCOM
VSATECH ASSOCIÉ

3 avenue du Canada, bât. Zeta, 91940 Les Ulis, France

+33 1 69 18 19 30

www.eurosatcom.eu

sales@eurosatcom.eu

