

- Suitable for a range of timing and synchronisation applications
- Transmits all common GPS / GALILEO / GLONASS bands
- Wide range of gain options
- Standard GPS power feeds
- GPS receiver alarm defeat feature
- Transmission distances of >50km
- SNMP network control module compatible

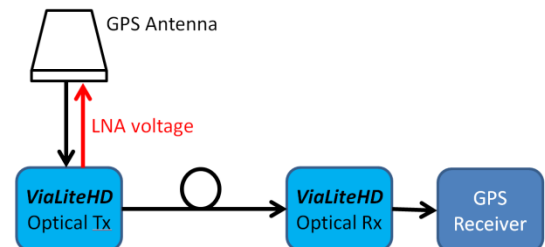
## GPS over fibre

Many systems and networks need to maintain accurate synchronisation. The **ViaLiteHD** GPS link is ideal for providing a remote GPS signal or derived timing reference to equipment positioned where no GPS signal is available, for example inside a building, a tunnel or underground mine.

- Transmits L1 and L2 bands.
- Very low noise figure specifically for GPS signals
- Wide dynamic range means negligible signal degradation due to noise or interference.



In a typical installation the **ViaLiteHD** GPS fibre optic link acts as a very low loss extension between the GPS antenna and receiver as shown on the right.



**ViaLiteHD** fibre optic links are available as rack mounted cards, small form factor modules and Edge OEM modules.

A fully populated 19" 3U **ViaLiteHD** rack supports up to 26 channels and accepts 13 RF and accessory cards plus an SNMP or summary alarm card and dual power supply modules. A 1U chassis accepts three RF cards or two RF cards plus an SNMP card.

Small form factor modules offer a compact, single link solution and Edge OEM modules allow system integrators and equipment manufacturers to build RF/optical interfaces into their own design.

A range of support modules and accessories including indoor rack equipment and weatherproof outdoor enclosures are also available.



## RF Performance Characteristics

	GPS link
Frequency Range	1000-1800MHz
Link gain (TX gain / RX gain), default	(-5 / +5), 0dB (nom)
Flatness (full band)	±0.3dB (typ)
Gain Stability	0.25dB (typ) @ 24 hrs
VSWR (50 Ohm)	1:1.5 (typ)
Noise Figure (at default gain)	15dB (typ)
Input P1dB	-8dBm (typ)
Input IP3 (at default gain)	4dBm (typ)
Maximum Input Power	13dBm (min)
SFDR	109dB/Hz <sup>25</sup> (typ)
LNA power	Internal +5V @ 80mA

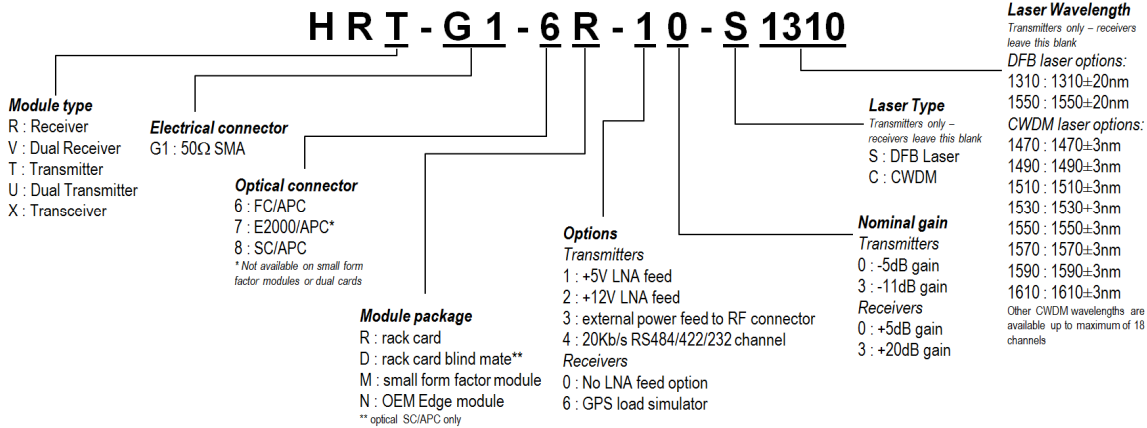
## Optical Performance Characteristics

	GPS link
Laser Type	DFB
Optical Wavelength	1310 nm ± 20 nm (1550nm/CWDM options)
Optical Power Output	4.5dBm (typ)

## Temperature Characteristics

	GPS link
Operating Temperature	-20degC to +50degC
Storage Temperature	-40degC to +70degC

## Part Numbers and Options



## Mechanical Dimensions

