

# CubeSat Ka-band Transceiver



**EUROSATCOM**  
VSATECH ASSOCIÉ

The TXMission™ Ka-band Transceiver is an innovative miniaturized transceiver designed for CubeSats and other smallsat applications.

It integrates easily with the Quest™ satellite modem.

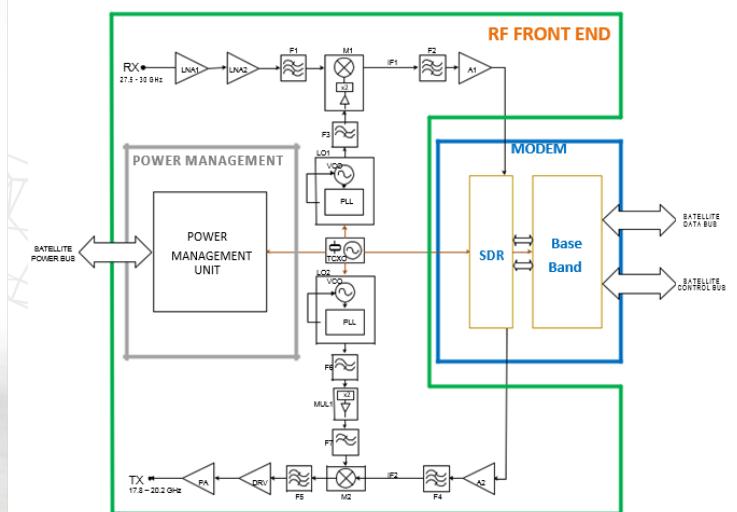


## SPECIFICATIONS



- Tx frequency range: 17.8 to 20.2GHz
- Rx frequency range: 27.5 to 30.0GHz Output power: 2W
- Tx power consumption: 10W
- Rx power consumption: 4W
- Power supply: 3.1 to 18V (unregulated)
- 1dB compression point: >-50dBm
- Size: 95 x 95 x 80mm
- Mass (& volume): < 1kg (< 1U)
- Case material: AL 7075-T6
- Metal surface treatment: Alodine 1200S or Hard Gold on request
- RF output: waveguide WR42 with adapter K 2.92mm coax connector
- RF input: waveguide WR28 with adapter K 2.92mm coax connector
- Operating temperature: -25°C to +70°C

## Block Diagram



**EUROSATCOM**  
VSATECH ASSOCIÉ

3 avenue du Canada, bât. Zeta, 91940 Les Ulis, France

+33 1 69 18 19 30

[www.eurosatcom.eu](http://www.eurosatcom.eu)

[sales@eurosatcom.eu](mailto:sales@eurosatcom.eu)

