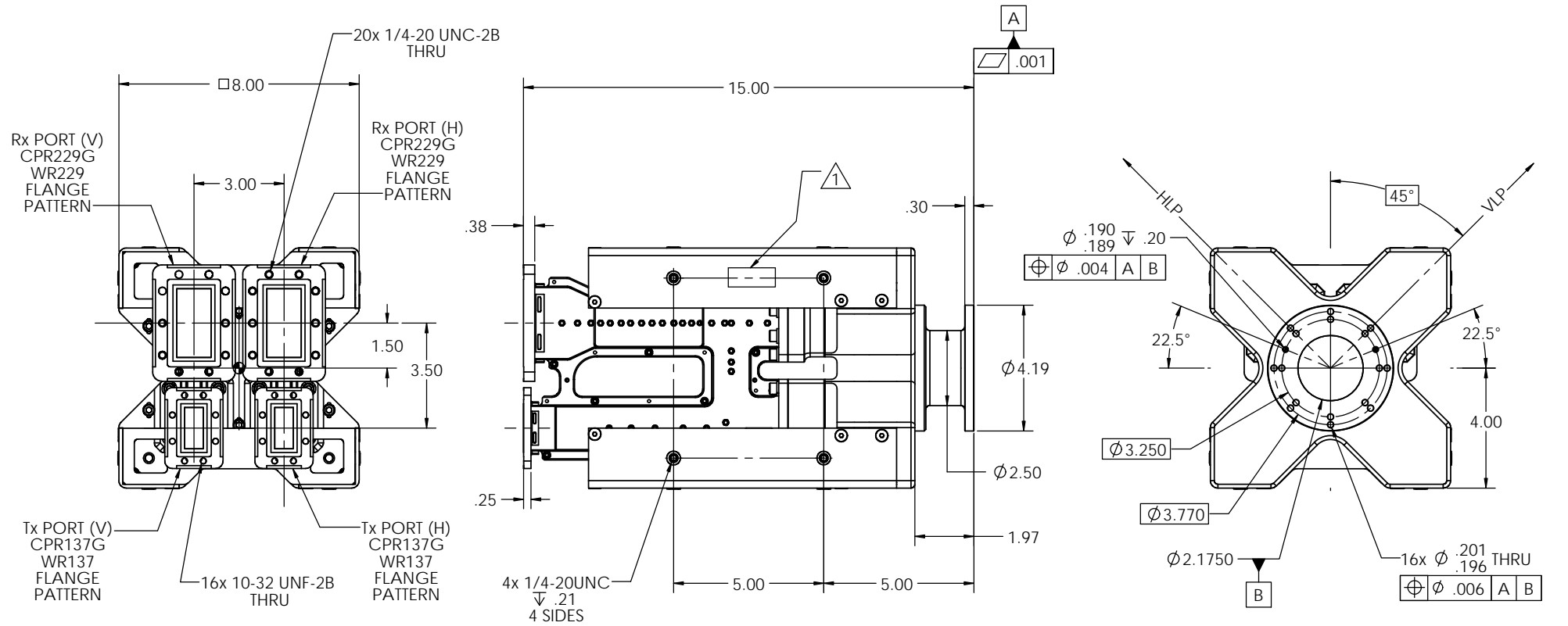


NOTES: UNLESS OTHERWISE SPECIFIED

1 IDENTIFICATION PER QMSP 7550 APPROXIMATELY WHERE SHOWN

REVISIONS				
ZONE	REV.	DESCRIPTION	DATE	APPROVED
-	-	PRODUCTION RELEASE	12 MAY 15	



SPECIFICATIONS

FREQUENCY BAND Rx: 3.400 - 4.200 GHz
Tx: 5.725 - 6.725 GHz

INSERTION LOSS Rx: 0.20 dB MAX
Tx: 0.20 dB MAX

VSWR Rx: 1.25:1 MAX
Tx: 1.25:1 MAX

ISOLATION
PORT TO PORT Tx/Rx: 85 dB MIN
Rx/Tx: 85 dB MIN
Rx/Rx: 35 dB MIN
Tx/Tx: 35 dB MIN

CROSS POL : 35 dB MAX

POWER HANDLING : 5.0kW CW (2.5 kW PER Tx PORT)

ESTIMATED WEIGHT : 25 Lbs

PRESSURE : SEALED TO 2.0 PSIG

FINISH EXTERIOR: EXTERIOR: PAINT - WHITE COLOR
No. 17875 IAW FED-STD-595

INTERFACE DRAWING

DIMENSIONING AND TOLERANCING PER ASME Y14.5M-1994 ALL DIMENSIONS ARE IN INCHES TOLERANCES: .XX ±.03 .XXX ±.004 .XXXX ±.0020 ANGLES ± 0° 30' ALL MACHINED SURFACES ✓ PROPRIETARY AND CONFIDENTIAL	APPROVALS DRAWN: E. N. SEIS CHECKED: H. SPIELER ISSUED: ENGR: QA:	DATE 31OCT 13 15 DEC 14	SPACETIME ENGINEERING HARBOR CITY, CA 90710 TITLE 4-PORT, C-BAND, Tx/Rx LP
	PROPRIETARY AND CONFIDENTIAL THE INFORMATION CONTAINED IN THIS DRAWING IS THE SOLE PROPERTY OF SPACETIME ENGINEERING CO. INC. ANY REPRODUCTION IN PART OR AS A WHOLE WITHOUT THE WRITTEN PERMISSION OF SPACETIME ENGINEERING CO. INC. IS PROHIBITED.	EAR CONTROLLED Export or re-export subject to the regulations relating to Commerce and Foreign Trade under CFR title 15 parts 700 - 799	
MATERIAL		SCALE: 1:2.5	REV -
		SHEET 1 of 1	