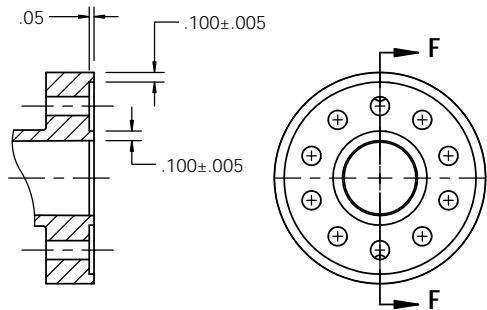
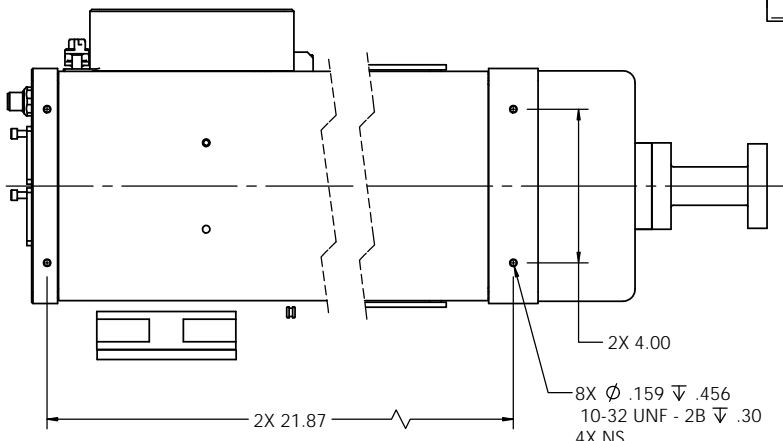
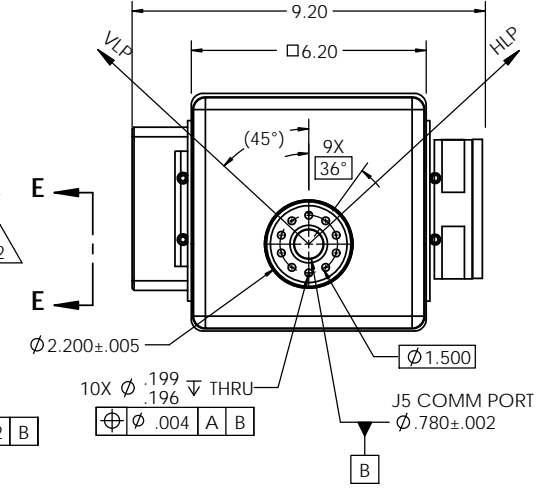
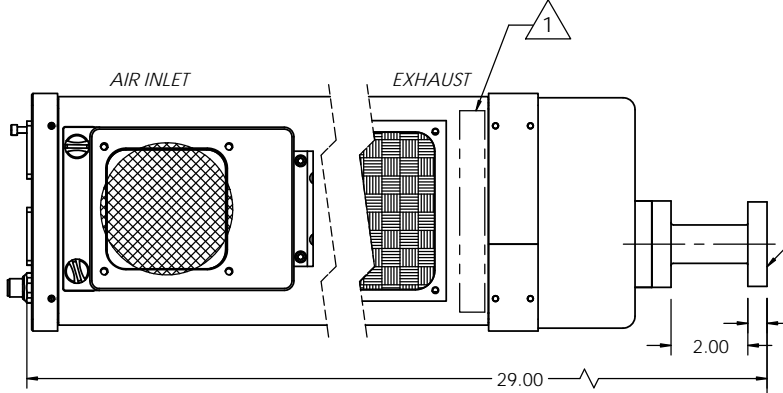
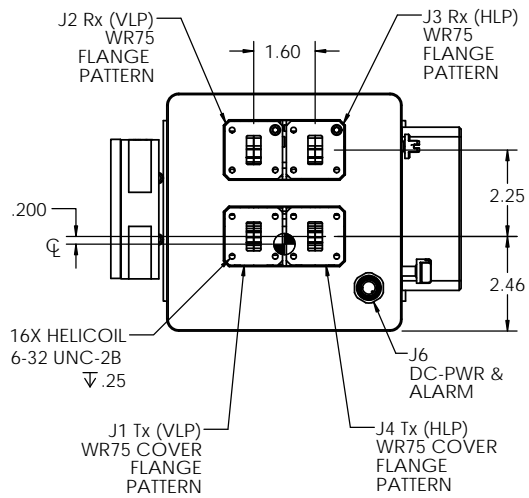


NOTES: UNLESS OTHERWISE SPECIFIED

1 IDENTIFY IAW QMSP 7550 APPROX WHERE SHOWN.

2 SURFACE FINISH APPLIES AFTER PLATING.

| REVISIONS | | | | |
|-----------|-----|--|----------|-----------|
| ZONE | REV | DESCRIPTION | DATE | APPROVED |
| | P6 | PRELIM: CDR comments: ref AIL | 22 JAN15 | R.H. A.B. |
| | C2 | PRELIM - cntct boss thk was: .075 is: .100 | 26 JAN15 | R.H. A.B. |
| | C4 | PRELIM - add 4x 10-32 mtg (top side) | 02 MAR15 | R.H. A.B. |
| | D2 | PRELIM - clr hole was .144 is .196 | 23 APR15 | |



SECTION E-E
SCALE 1:1

SPECIFICATIONS

| | |
|------------------------------|---|
| FREQUENCY BAND | Rx: 10.70 - 12.50 GHz Tx: 12.75 - 14.50 GHz |
| INSERTION LOSS | Rx: 0.70 dB (0.50 dB TYP) Tx: 0.70 dB (0.40 dB TYP) |
| VSWR | Rx: 1.20:1 MAX Tx: 1.20:1 MAX |
| ISOLATION PORT TO PORT | Rx/Tx: 100 dB MIN (IN THE Rx BAND) Tx/Rx: 100 dB MIN (IN THE Tx BAND) Rx/Rx: 35 dB MIN Tx/Tx: 35 dB MIN |
| CROSS POL | : 40 dB MIN |
| PIM LEVEL | : -120 dBm MAX (2X 200 W CARRIERS) OVER 12.75 - 14.50 GHz |
| PIM PERFORMANCE VERIFICATION | : -120 dBm MAX (2X 200 W CARRIERS) OVER 12.75 - 14.50 GHz (OR EQUIVALENT) |
| POWER HANDLING | : 5.0 kW CW TOTAL (3.0 kW MAX PER Tx PORT) |
| DISSIPATED POWER | : 440 W AT 5.0 kW CW |
| RF LEAKAGE | : -70 dBc MAX (AT A DISTANCE OF 4.0") |
| WEIGHT | : TBD |
| PRESSURIZATION | : SEALED TO 2.0 PSIG |
| LEAK RATE | : NOT TO EXCEED 100 scc/min @ 0.5 PSIG |
| FINISH | FLANGE FACES: COPPER ALLOY, CHROMATE CONVERSION COATED INTERIOR: COPPER ALLOY EXTERIOR: PAINT - WHITE COLOR No. 17875 IAW FED-STD-595 |

INTERFACE DRAWING

| | | | |
|--|---|---------------------------------|--|
| DIMENSIONING AND TOLERANCING PER ASME Y14.5M-1994 ALL DIMENSIONS ARE IN INCHES TOLERANCES: .XX ±.01 .XXX ±.003 .XXXX ±.0015 ANGLES ± 0° 30' ALL MACHINED SURFACES ✓ PROPRIETARY AND CONFIDENTIAL | APPROVALS DRAWN: A. BACA CHECKED: ISSUED: ENGR: QA: | DATE 27OCT14 | SPACETIME ENGINEERING CO. INC. HARBOR CITY, CA 90710 TITLE 4-PORT, Ku-BAND, Tx/Rx, LP, LOW PIM |
| | PROPRIETARY AND CONFIDENTIAL THE INFORMATION CONTAINED IN THIS DRAWING IS THE SOLE PROPERTY OF SPACETIME ENGINEERING CO. INC. ANY REPRODUCTION IN PART OR AS A WHOLE WITHOUT THE WRITTEN PERMISSION OF SPACETIME ENGINEERING CO. INC. IS PROHIBITED. | | |
| | EAR CONTROLLED Export or re-export subject to the regulations relating to Commerce and Foreign Trade under CFR title 15 parts 700 - 799 | | |
| | MATERIAL SIZE C 74MM8 | DWG No. ICD 10060-004 | |
| SCALE: 1:2.5 | | SHEET 1 of 1 | |