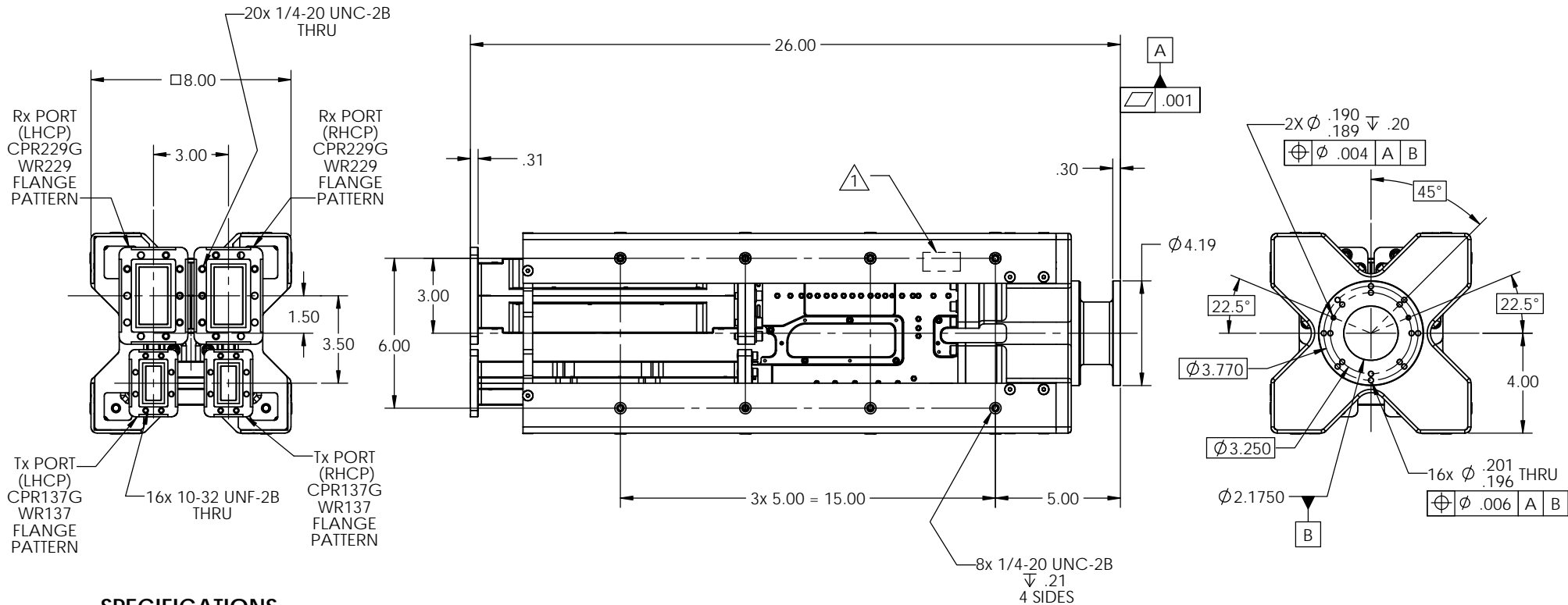


NOTES: UNLESS OTHERWISE SPECIFIED

1 IDENTIFICATION PER S 7550 APPROXIMATELY WHERE SHOWN

REVISIONS				
ZONE	REV.	DESCRIPTION	DATE	APPROVED
-	-	PRODUCTION RELEASE	12 MAY 15	



SPECIFICATIONS

FREQUENCY BAND	Rx: 3.400 - 4.200 GHz Tx: 5.725 - 6.725 GHz
INSERTION LOSS	Rx: 0.25 dB MAX Tx: 0.25 dB MAX
VSWR	Rx: 1.25:1 MAX Tx: 1.25:1 MAX
ISOLATION	
PORT TO PORT	Tx/Rx: 85 dB MIN Rx/Tx: 85 dB MIN Rx/Rx: 20 dB MIN Tx/Tx: 20 dB MIN

AXIAL RATIO	Rx: 0.40 dB MAX Tx: 0.40 dB MAX
POWER HANDLING	: 5.0kW CW (2.5 kW PER Tx PORT)
ESTIMATED WEIGHT	: 37 Lbs
PRESSURE	: SEALED TO 2.0 PSIG
FINISH	: EXTERIOR: PAINT - WHITE COLOR No. 17875 IAW FED-STD-595

INTERFACE DRAWING

DIMENSIONING AND TOLERANCING PER ASME Y14.5M-1994 ALL DIMENSIONS ARE IN INCHES TOLERANCES: .XX ±.03 .XXX ±.004 .XXXX ±.0020 ANGLES ± 0° 30' ALL MACHINED SURFACES $\sqrt{32}$ PROPRIETARY AND CONFIDENTIAL	APPROVALS DRAWN: E. N. SEIS CHECKED: H. SPIELEDER ENGR: QA:	DATE 31OCT 13 15 DEC 14	SPACETIME ENGINEERING HARBOR CITY, CA 90710 TITLE 4-PORT, C-BAND, Tx/Rx, CP
	PROPRIETARY AND CONFIDENTIAL THE INFORMATION CONTAINED IN THIS DRAWING IS THE SOLE PROPERTY OF SPACETIME ENGINEERING CO INC. ANY REPRODUCTION IN PART OR AS A WHOLE WITHOUT THE WRITTEN PERMISSION OF SPACETIME ENGINEERING CO INC. IS PROHIBITED.	EAR CONTROLLED Export or re-export subject to the regulations relating to Commerce and Foreign Trade under CFR title 15 parts 700 - 799	