

IRK® SERIES INTELLIGENT REDUNDANT KIT 20W-400W C-BAND AND 16W-400W KU-BAND BUC/SSPA 1:1 REDUNDANT SYSTEM

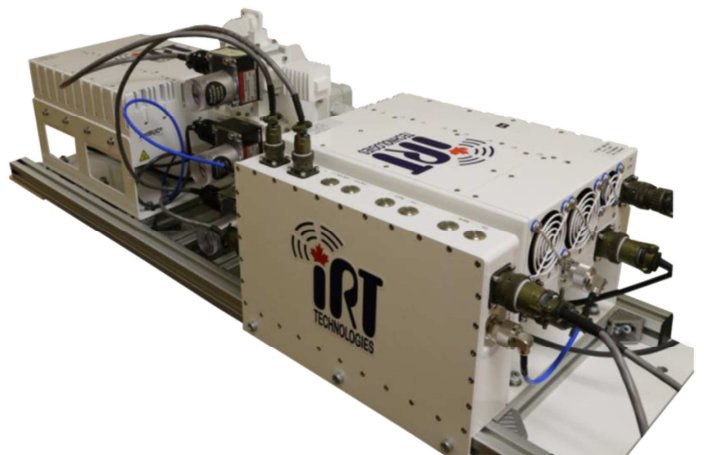
OVERVIEW

The IRT Technologies IRK® Series (Intelligent Redundant Kit) 16W-400W Ku-Band and 20W-400W C-Band 1:1 redundancy system is light weight and super-compact due to revolutionary small size IRT BUCs / SSPAs equipped with intelligent built in redundancy controller that's why IRK® systems does not require an external redundancy controller; means there is no single point failure in the redundant system and its reliability is much higher. IRK® Series also offers special redundancy configurations with additional switches for Air/Load switching and for Vertical/Horizontal polarizations switching. Special Face-to-face mechanical solution makes it ideal for SNG application.

IRK® Series features extensive monitor & control via serial ports EIA232/EIA485 and Ethernet. The state of the art web browser provides the operator with comprehensive system management tool.

KEY FEATURES

- Eliminates External Redundancy Controller as a Single Point of Failure For the regular 1:1 system
- Easy BUC/PA unit's replacement without interruption of traffic
- Remote Control over RS-232, RS-485 and Ethernet.
- Built-in SNMP and Web Server
- Auto manual, Remote, Manual Override Operational Modes
- Additional Air/Load Switch Optional
- Horizontal/Vertical polarization switching Optional
- Special super-compact mechanical solution for mobile applications
- BUC A/B Gain Equalization Feature
- Manual Switch-Over Button
- Power Distribution Junction Box
- Indoor 1RU Remote Control Unit Optional



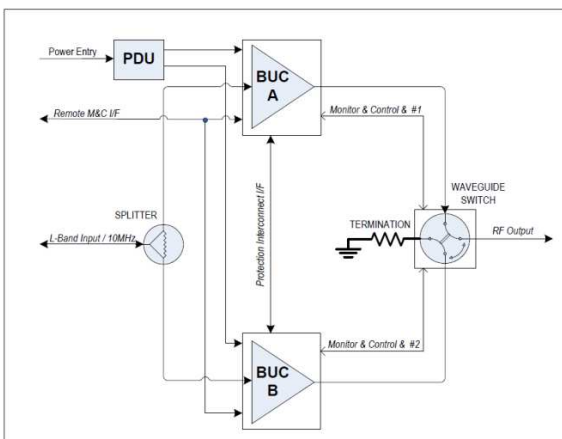
IRK® SERIES C-BAND AND KU-BAND BUC/SSPA 1:1 REDUNDANT SYSTEM

IF/RF CHARACTERISTICS	
IF Frequency Range:	950-1525MHz / 950-1700MHz
RF Frequency	5085-6.425GHz / 13.75-14.5GHz
Return Loss at IF In Port	-14dB max
Return Loss at RF Out Port	-16dB max
Output Power	Up to 400W at PSAT
Input IF port Impedance	50 Ohm
POWER	
AC Option	90-265VAC 50-60Hz to each BUC/SSPA
DC Option (16-100W only)	36-55 VDC Isolated to each BUC/SSPA
INTERFACES	
IF IN (L-Band and 10MHz)	N-type female
RF Out	CPR137/WR75 Grooved
User Interface	MS3112E14-19S

MONITOR & CONTROL FEATURES	
Controls:	
Online/Stand By Toggle	Via Serial, Ethernet
Mute Control	Via Serial, Ethernet
Gain Control	Via Serial, Ethernet
Gain equalization offset	Via Serial, Ethernet
Hot standby/Cold Standby	Via Serial, Ethernet
Air/Load Toggle (optional)	Via Serial, Ethernet
Vertical/Horizontal Toggle (Opt)	Via Serial, Ethernet
Indicators:	
Active/Stand by status	Via Serial, Ethernet
Mute Status	Via Serial, Ethernet
Switch Position	Via Serial, Ethernet, LED
BUC A/B full telemetry	Via Serial, Ethernet
Alarm A/B details	Via Serial, Ethernet

IRT Part Number	Power, Watt	Size	Weight
C-BAND			
IRK-CB00500- HMXX*	20W to 100W	21.5" x 18.5" x 7.6"	20lbs/9kg
IRK-CB00530- HMXX*	150W to 200W	26" x 25" x 6.25"	48lbs/22kg
IRK-CB00560- HMXX*	250W to 400W	32.5" x 26" x 9.25"	105lbs/48kg
KU-BAND			
IRK-KXB0470-HMXX*	16W to 50W	22.5"x15.5"x 7"	18lbs/8kg
IRK-KXB0500- HMXX*	60W to 100W	25" x 18" x 6.2"	38lbs/17kg
TPA-KXB0530- HMXX*	150W to 200W	29" x 22" x 7.8"	67lbs/30.5kg
TPA-KXB0550- HMXX*	250W to 400W	38.5" x 26" x 12"	125lbs/57kg

1:1 Redundancy Solution



Air/Load & V/H 1:1 Redundancy Solution Configurable to 2 x Stand Alone Channels

