

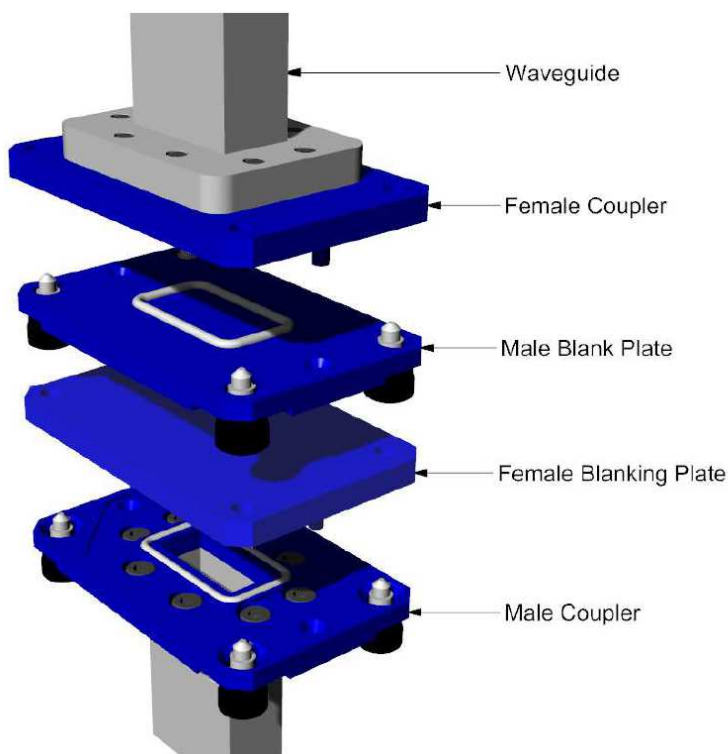
WAVEGUIDIE Quick Release system

QUASAR quick release / disconnect system has been designed to allow waveguide components to be assembled & dis-assembled quickly & easily without the need for any tools. The system comprises of male & female couplers or optional blanking plates for preventing moisture & debris contamination within your waveguide system when disconnected or in transit.

The QR coupling plates simply attach onto your existing waveguide flanges & allow you to easily install your waveguide components using only the captive thumbscrews on the QR couplers.

They are ideally suited for use in SNG type applications & portable systems, where temporary or regular rapid deployment is required.

System Overview :



WG17 / WR-75 Blanking Plate
**Colour Choice Available

Waveguide Size (WG)	Waveguide Size (WR)	Flange Type	Waveguide Quick Release Part Numbers			
			Male Coupler (MC)	Female Coupler (FC)	Male Blanking Plate (MBP)	Female Blanking Plate (FBP)
WG11A	WR-229	CPR	QR229-MC-CPR	QR229-FC-CPR	QR229-MBP-CPR	QR229-FBP-CPR
WG14	WR-137	CPR	QR137-MC-CPR	QR137-FC-CPR	QR137-MBP-CPR	QR137-FBP-CPR
WG15	WR-112	CPR	QR112-MC-CPR	QR112-FC-CPR	QR112-MBP-CPR	QR112-FBP-CPR
WG15	WR-112	UBR	QR112-MC-UBR	QR112-FC-UBR	QR112-MBP-UBR	QR112-FBP-UBR
WG16	WR-90	UBR	QR090-MC-UBR	QR090-FC-UBR	QR090-MBP-UBR	QR090-FBP-UBR
WG17	WR-75	UBR	QR075-MC-UBR	QR075-FC-UBR	QR075-MBP-UBR	QR075-FBP-UBR
WG18	WR-62	UBR	QR062-MC-UBR	QR062-FC-UBR	QR062-MBP-UBR	QR062-FBP-UBR
WG20	WR-42	UBR	QR042-MC-UBR	QR042-FC-UBR	QR042-MBP-UBR	QR042-FBP-UBR
WG22	WR-28	UBR	QR028-MC-UBR	QR028-FC-UBR	QR028-MBP-UBR	QR028-FBP-UBR

ALL QR COUPLER PLATES ARE ALOCROMED AS STANDARD

BLANKING PLATES ARE AVAILABLE IN VARIOUS ANODISED COLOURS – BLUE, BLACK, RED,

Please specify your colour choice by adding the colour to the end of the above Blanking Plate Part Numbers.

**E.g. WG15 Red Male Blanking Plate = QR112-MBP-CPR-RED

NB. Male Coupler & Male Blanking Plates have Seals Included.

Company Names & Logos can be added to Blanking Plates –

Dimensions available upon request.

Custom Sizes available on Request.

