



# Audio Matrix Switch

## KSA0382

Audio (0.02 – 20 kHz)

novotronik Audio Matrix Switches are designed to route either balanced or unbalanced audio signals.

The KSA0382 provides routing of 32 audio sources to a maximum of 32 zones, and includes a wide variety of features. The Matrix Switch completely eliminates the need to constantly move around audio input and output cables.



### TECHNICAL DATA

#### Type No. 1500038

Number of inputs	32
Number of outputs	32
Architecture	Non-blocking, full-fan out Summing, full-fan in Switching: Semiconductor switches
Frequency range	0.02 – 20 kHz
Gain (dB)	0 ± 1
Loading effect (dB)	1 max.
Distorsion (%)	0.5 max. (0dBm, 1kHz)
Isolation (%)	
in/in	70 min.
in/out	65 min.
out/in	70 min.
out/out	70 min.
Crosstalk (dB)	70 min.
Input level (Vpp)	4 max.
Switching speed (ms)	20 max.
Impedance (Ω)	
Input	600
Output	600
Connectors	
IN #01-24	BNO-f (balanced)
IN #25-32	BNC-f (unbalanced)
OUT #01-24	BNO-f (balanced)
OUT #25-32	BNC-f (unbalanced)
Local control	LC display and keyboard, front panel
Remote control	RJ45 Ethernet port 10/100 Base T. TCP/IP & UDP, GUI (browser interface) RS-232/422/485 interface (selectable)
Power supply	20-30 V DC
Power connector	XLR, 3-pin plug
Power consumption	1.2A @ 24V DC

#### Temperature range

Operating	0 ... +40°C
Storage	-10 ... +60°C

#### Colour

Front panel: RAL7032

#### Attached hardware

Power cord  
Operating manual

#### Dimensions (WxHxD)

483mm x 134mm x 355mm  
(19" drawer, 3U)

#### Weight

6.5 kg

### FEATURES

- Balanced and unbalanced in and out signals
- Permanent monitoring of internal temperature, modules and switch positions

### STANDARDS / APPROVALS

#### MIL-STD-461F

- RE102 radiated emission
- RS103 radiated susceptibility
- CE102 conducted emission
- CS101 conducted susceptibility
- CS114 conducted susceptibility
- CS115 conducted susceptibility
- CS116 conducted susceptibility

#### MIL-STD-810F

- Method 500.4 low pressure, procedure II
- Method 501.4 high temperature, procedure II
- Method 502.4 low temperature, procedure II
- Method 507.4 humidity, 240h
- Method 514.5 vibration
- Method 516.5 shock

### OPTIONS

- 115/230 VAC power supply
- Other impedances
- Remote control software
- SNMP (protocol version 1)





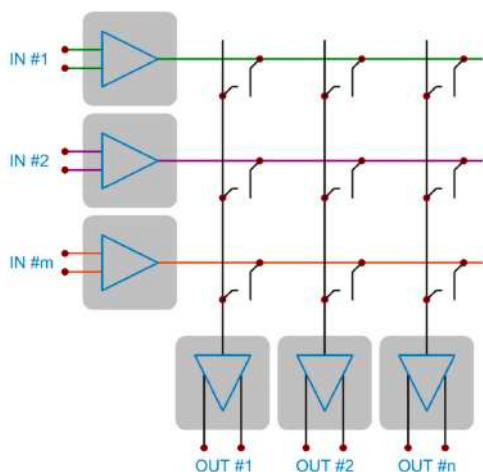
# Audio Matrix Switch

## KSA0382

Audio (0.02 – 20 kHz)

### DESCRIPTION

novotronik Audio Matrix Switches are designed to route either balanced or unbalanced audio signals. The KSA0382 provides routing of 32 audio sources to a maximum of 32 zones, and includes a wide variety of features. The Matrix Switch completely eliminates the need to constantly move around audio input and output cables.



x

The KSA0382 requires 20-30VDC power to operate. The system supports come with serial and Ethernet control interfaces, allowing setup flexibility and easy remote control. LCD and keyboard feature a local control. The KSA0382 was developed for mobile use in vehicles.

### APPLICATIONS

- Military intercommunication in mobile platforms
- Broadcast studio signal switching
- Test laboratories

