



# LNB KU-BAND QUAD BAND PLL 1000HU

## SPECIFICATIONS

Noise Figure	0.8 dB typ., 1.0 dB max. at room temp. @ CF
L.O. Stability	±10kHz, ±25 kHz
Phase Noise (SSB) max.	-70 dBc/Hz at 1kHz -80 dBc/Hz at 10kHz -95 dBc/Hz at 100kHz
Input VSWR	2.5 : 1 max.
Output VSWR	2.5 : 1 max.
Gain	60 dB typ., 55 dB min., 65 dB max.
Gain Flatness (over full band)	≤ 0.5 dB dB p-p
Output P1dB	+ 5 dBm min.
DC Power	+ 12V to + 24V DC (See below for Band Select)
Tone Frequency	22 kHz ±4 kHz
Amplitude Voltage	0.6 ± 0.2 V
Duty Cycle	50% ±10%
Current	350 mA max.
Input (waterproof)	WR-75 waveguide grooved
Output (waterproof)	F-Connector (75 Ohm) N-Connector (50 Ohm)
Dimensions (L x W x H)	128 mm x 60 mm x 40 mm (5.04 in x 2.36 in x 1.57 in)
Weight	450g max.



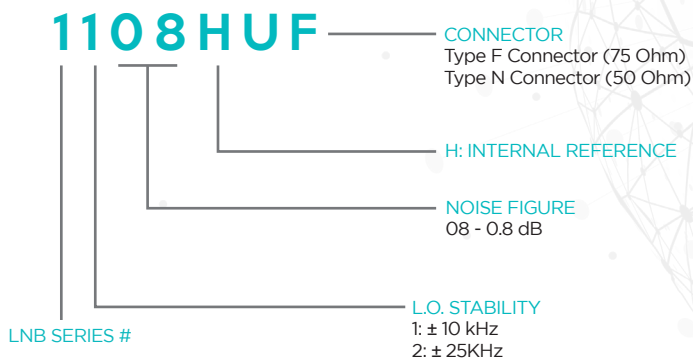
Operating Temperature	-40 to +60°C
Storage Temperature	-40 to +80°C

## FREQUENCY BANDS

	Band 1 (13V)	Band 2 (13V / 22 kHz Tone)	Band 3 (18V)	Band 4 (18V / 22 kHz Tone)
<b>Frequency Band (GHz)</b>	10.70 - 11.70	10.95 - 11.70	11.70 - 12.75	12.25 - 12.75
<b>L.O. Frequency (GHz)</b>	9.75	10.00	10.75	11.30
<b>IF Frequency (MHz)</b>	950 - 1950	950 - 1700	950-2000	950 - 1450

## HOW TO ORDER

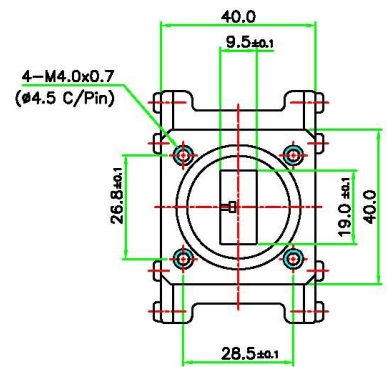
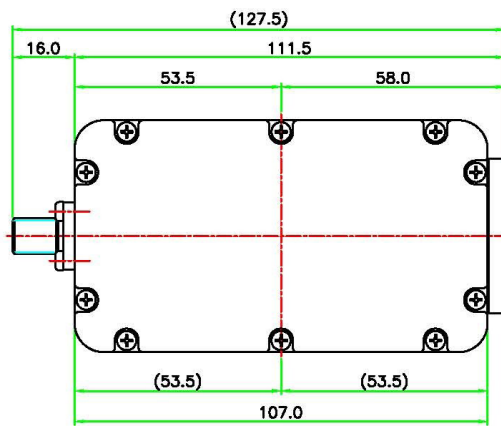
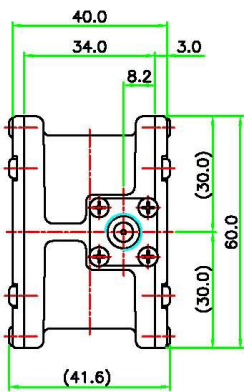
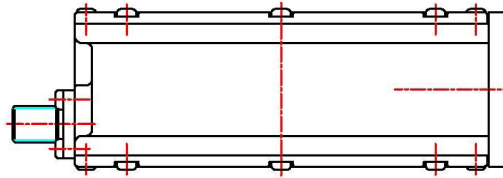
# 1108HUF





# LNB KU-BAND QUAD BAND PLL 1000HU

## MECHANICAL DIAGRAM



UNIT : mm

