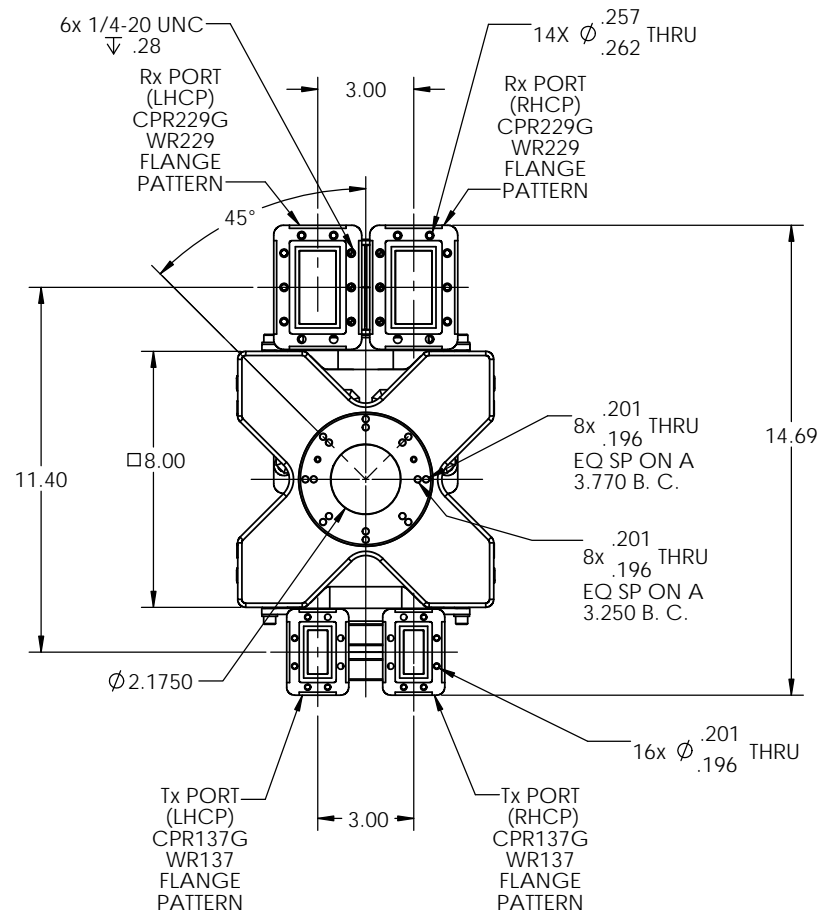
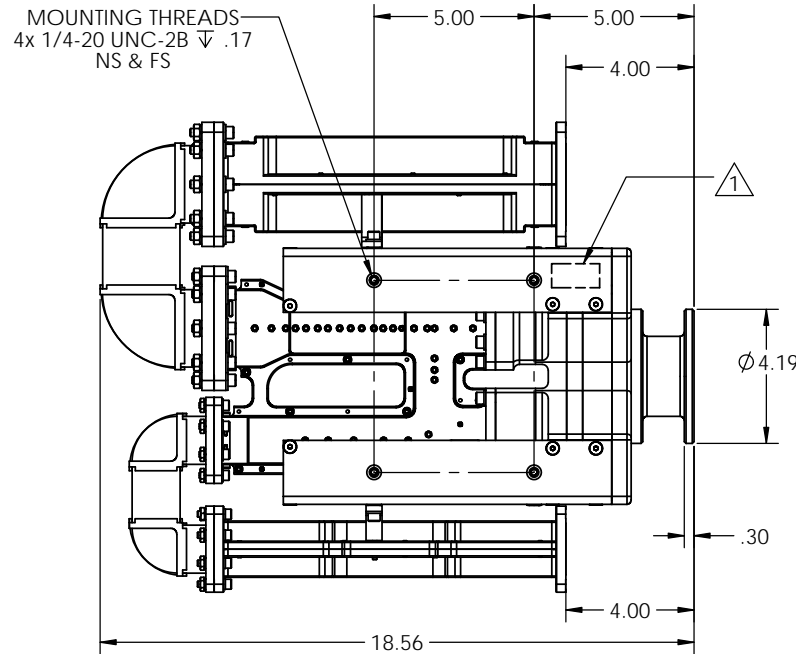


NOTES: UNLESS OTHERWISE SPECIFIED

1 IDENTIFICATION PER QMSP 7550 APPROXIMATELY WHERE SHOWN

REVISIONS				
ZONE	REV.	DESCRIPTION	DATE	APPROVED
	P1	PRELIMINARY	26SEP14	
	P2	PRELIMINARY	20 OCT 14	
	P3	PRELIM - Added Est Weight	10 OCT 14	
	P4	PRELIMINARY	28 OCT 14	
	P5	PRELIMINARY	15JAN15	



SPECIFICATIONS

FREQUENCY BAND Rx: 3.400 - 4.200 GHz
Tx: 5.725 - 6.725 GHz

INSERTION LOSS Rx: 0.35 dB MAX
Tx: 0.35 dB MAX

VSWR Rx: 1.25:1 MAX
Tx: 1.25:1 MAX

ISOLATION
PORT TO PORT Tx/Rx: 85 dB MIN
Rx/Tx: 85 dB MIN
Rx/Rx: 20 dB MIN
Tx/Tx: 20 dB MIN

AXIAL RATIO Rx: 0.40 dB MAX
Tx: 0.40 dB MAX

POWER HANDLING : 5.0kW CW (2.5 kW PER Tx PORT)

ESTIMATED WEIGHT : 45 Lbs

PRESSURE : SEALED TO 2.0 PSIG

FINISH : EXTERIOR: PAINT - WHITE COLOR
No. 17875 IAW FED-STD-595

INTERFACE DRAWING

DIMENSIONING AND TOLERANCING PER ASME Y14.5M-1994	APPROVALS	DATE	SPACETIME ENGINEERING HARBOR CITY, CA 90710		
	DRAWN: TOVALIN	26 SEP 14			
ALL DIMENSIONS ARE IN INCHES TOLERANCES: .XX \pm .03 .XXX \pm .004 .XXXX \pm .0020 ANGLES \pm 0° 30'	CHECKED:		TITLE 4-PORT, C-BAND, Tx/Rx, CP		
	ISSUED:				
	ENGR:				
	QA:				
ALL MACHINED SURFACES \checkmark 32 PROPRIETARY AND CONFIDENTIAL	<small>PROPRIETARY AND CONFIDENTIAL THE INFORMATION CONTAINED IN THIS DRAWING IS THE SOLE PROPERTY OF SPACETIME ENGINEERING CO INC. ANY REPRODUCTION IN PART OR AS A WHOLE WITHOUT THE WRITTEN PERMISSION OF SPACETIME ENGINEERING CO INC. IS PROHIBITED.</small>				
MATERIAL	EAR CONTROLLED Export or re-export subject to the regulations relating to Commerce and Foreign Trade under CFR title 15 parts 700 - 799	SIZE C	CAGE 74MM8	DWG No. ICD 10055-003	REV P5
SCALE: 1:2.5		SHEET 1 of 1			