

ViaLiteHD® – Blue2 Link

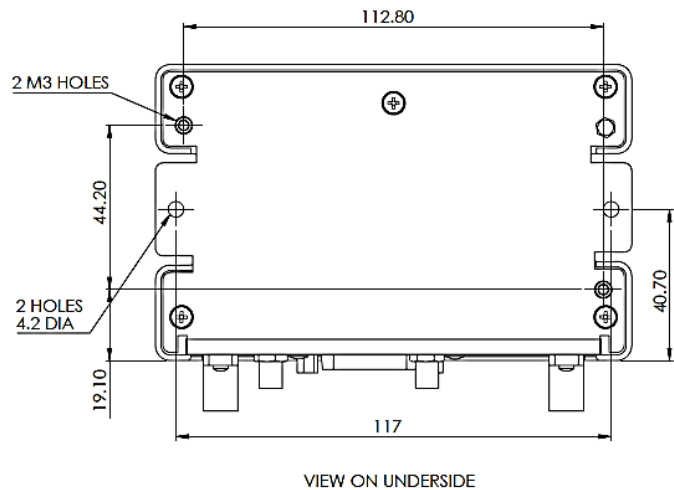
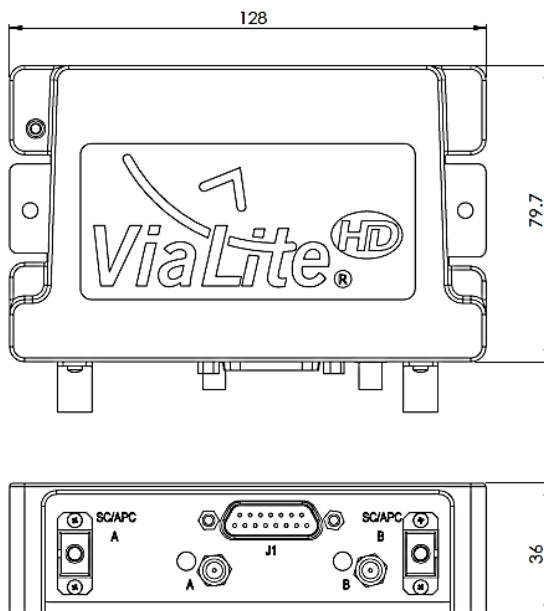
RF over Fiber Link

- **Dual Tx, Rx or Transceiver**
- **External PSU**
- **Dustproof enclosure**
- **Internal WDM option**
- **128 x 80 x 36 mm**
- **RF and Serial Digital options available**
- **Supports 0-10km and 50km**

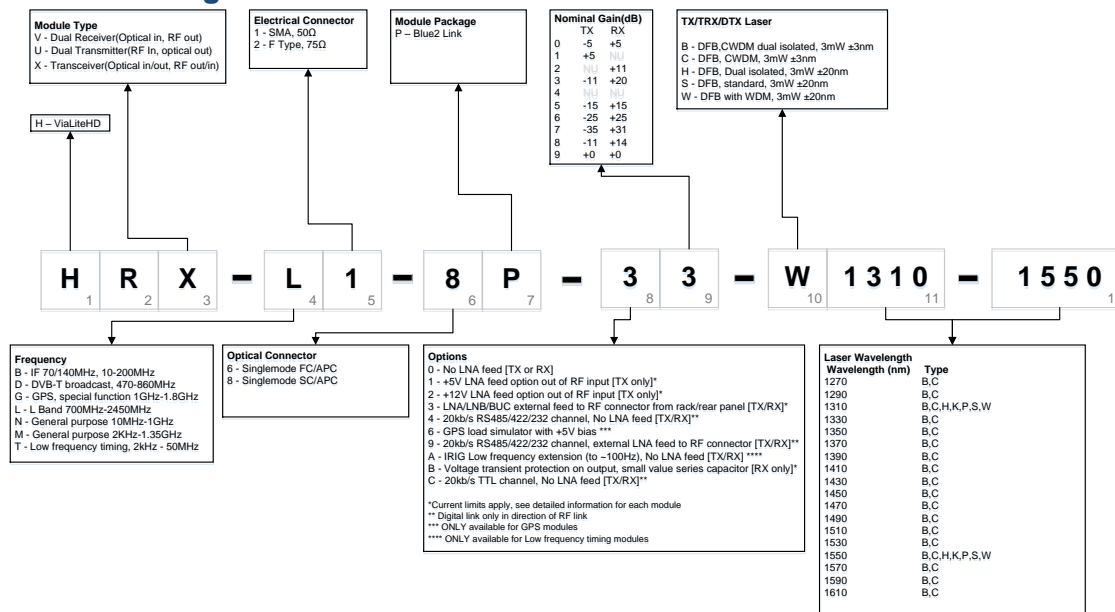


The **Blue2 Link** is a small, dustproof RF over fiber module available in all **ViaLiteHD** RF bands and can be supplied in dual transmitter, dual receiver or transceiver formats. The module is available with two optical inputs/outputs or single optical input/output if the integral WDM module option is selected. The 15-way D-type connector provides connection for serial data transmission (RS232, RS485 & TTL), Tx or Rx alarms, I2C setup using the **ViaLiteHD** Programming Kit (HRx-HD-DEV103) and the external power supply (optional HPS-CS-4).

Mechanical Dimensions (mm)



Product Configurator



Popular products

- HRX-L1-8P-33-S1310 - L-Band HTS (700-2450MHz) Transceiver with 50 ohm SMA and SC/APC connectors
- HRU-G1-8P-10-S1310 - GPS Dual Transmitter, 50 ohm SMA, internal antenna PSU and SC/APC connectors
- HRU-L3-8P-35-W1310-1550 - L-Band HTS (700-2450MHz) Dual Transmitter with WDM, 75 ohm F-type and SC/APC connectors
- HRV-L3-8P-03 - L-Band HTS (700-2450MHz) Dual Receiver with 75 ohm F-type and SC/APC connectors

Parameters

	Blue2 Link
Dimensions	128 x 80 x 36 mm
Weight	200g typical
Operating temperature	-10°C to +50°C
Humidity	0-95% non-condensing
Cooling	Convection
Power consumption	Transceiver: 3.2W Dual transmitter: 3.8W Dual receiver: 2.6W
DC Input voltage	11 to 13V, 12V nominal
Connector	15-way male D-type with screw-lock termination on back plane (Power, Serial Data, Alarms & I2C programming)
Power supply compatibility	HPS-CS-4 or external 12VDC source
RF module Types	2 x Transmitter, 2 x Receiver or 1 x Transmitter & 1 x Receiver (Transceiver), or with a single Transmitter or Receiver and a serial digital TX/RX link IF (B), DVB-T (D), GPS (G), L-Band HTS (L), General purpose (N&M), Low Frequency Timing Link (T) and Serial digital links